

Definition

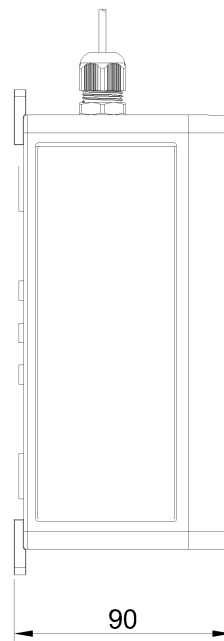
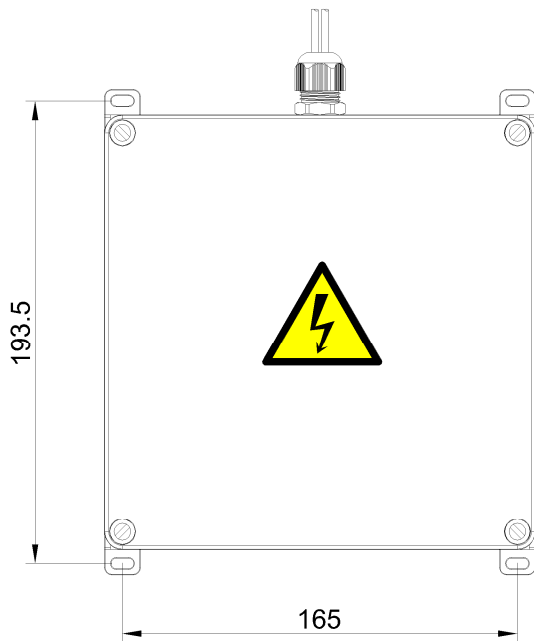
AC filter box for electrical grounding of structures

Reference

11-110-00 without ESD suppressor

11-111-00 with ESD suppressor

Implantation



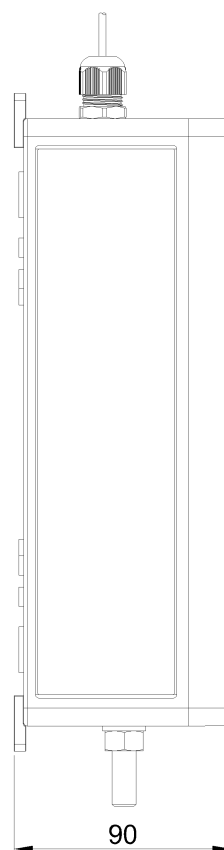
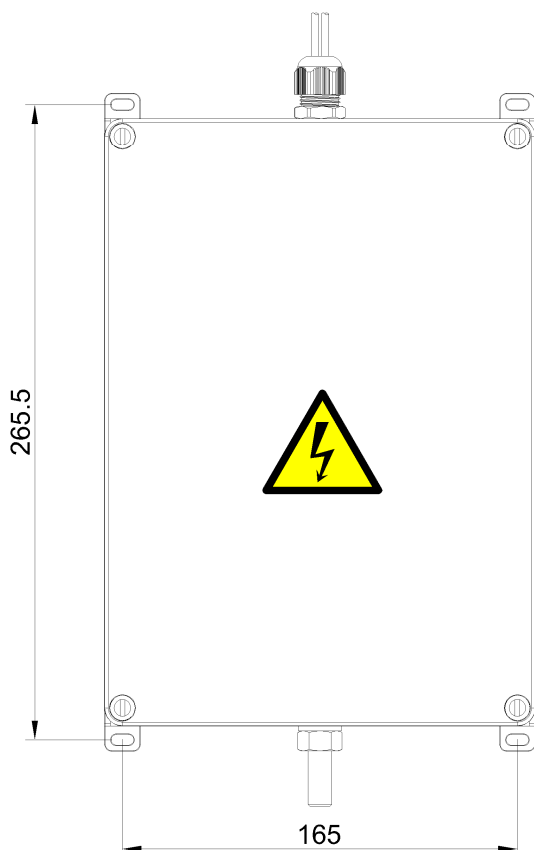
Characteristics

AC filter box: 2x100000 μ F

maximum current : 35A

maximum tension : 60V

Cables : 2x6mm² length 500mm



Characteristics

ESD suppressor : 97V

AC filter box: 2x100000 μ F

maximum current : 35A

maximum tension : 60V

Cables : 2x6mm² length 500mm